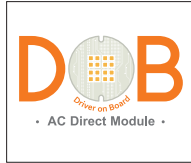


# JD04E

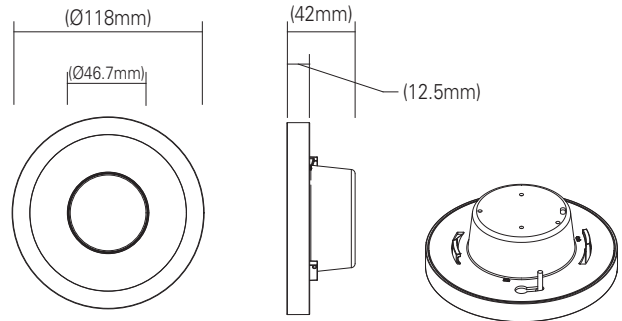
120V, 220V-230V and 277V

4" LED Recessed Downlight to Ceiling Jbox



Catalog #		Type
Project		Date
Prepared by		

4" LED



\* EZ & Quick Fit J-Box Insert \*

### Dimension Table

Housing	[ JD04D ]
D (Diffuser Diameter)	(Ø118mm)

### DESCRIPTION

JD04E series is one piece LED light module kit with detachable trim ring, which allows easier installation to fit 4in Octagonal J-Box directly, Also optionally available in different beam optics, Ideal for any residential and commercial downlight solution.

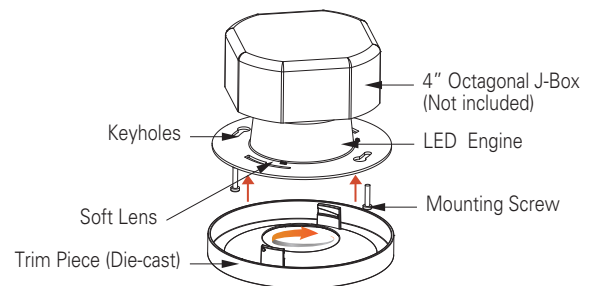
### SPECIFICATION

Input Voltage	120V and 277V AC
Wattage (Typ)	<b>10W</b>
Lumen (Typ)	800 (90CRI)
Efficacy (LPW)	80 lm/W
Beam Angle	25°, 40°, 60°
CRI (Typical)	80, 90
Color (+/-5%)	2700K, 3000K, 3500K, 4000K
Dimming	Triac(Consult with factory for approved dimmers)

### FEATURES and FUNCTIONS

- 120V AC LED module with integrated IC chip imbed on board and 10-100% Triac dimming with most of leading and trailing edge dimmer switches in the market.
- Ceiling j-box installation.(Not provided)
- Beam Changeable to Narrow, Medium and Wide.
- Triac dimmable standard.

### J-Box Mounting



### Listing

- CSA-us Certified
- Energy star Approved & Listed

- State of California Title 24
- Wet location

### Warranty

- 5years of lamp life.

### ORDERING INFORMATION

Housing	CRI	CCT	OPTIC	Trim Ring Finish
JD04E 4", 10W	8 80 9 90	27 2700K 30 3000K 35 3500K 40 4000K	N 25° M 40° W 60°	WH White BK Black

\*Consult with factory for custom finishes

Example : JD04-R-930-WH

